

## Product Specification

### 10Gbps 1310nm SFP+ Optical Transceiver, 40Km

#### 1.Feature

- SFP+ package with LC connector
- 1310nm DFB Laser Without TEC and PIN photo detector
- Up to 40km transmission on SMF
- Power dissipation < 1W
- LVPECL compatible data input/output interface
- Low EMI and excellent ESD protection
- laser safety standard IEC-60825 compliant
- Compatible with RoHS

#### 2.Application

- Ethernet ● Fiber Channel

#### 3.Absolute Maximum Ratings

Parameter	Symbol	Minimum	Maximum	Units
Storage Temperature	Tst	-40	+85	°C
Supply Voltage	Vcc	0	+3.6	V
Operating Relative Humidity	RH	0	85	%

#### 4.Operation Environment

Parameter		Symbol	Min	Typical	Max	Units
Supply Voltage		Vcc	3.15		3.45	V
Operating Case Temperature	Commercial	Tc	-5		+70	°C
Power Dissipation					1	W
Data Rate				10.3125		Gbps

## 5.Optical Characteristics

(Ambient Operating Temperature  $-5^{\circ}\text{C}$  to  $+70^{\circ}\text{C}$ ,  $V_{cc} = 3.3\text{ V}$ )

Parameter	Symbol	Min.	Typ.	Max.	Units
<b>Transmitter Section</b>					
Center Wavelength	$\lambda_o$	1270		1330	nm
Spectral Width(RMS)	$\Delta\lambda$	-	-	1	nm
Side-Mode Suppression Ratio	SMSR	35	-	-	dB
Average Output Power	$P_o$	1	-	+4.0	dBm
Extinction Ratio	$E_r$	3.5	-	-	dB
Dispersion Penalty				3.2	dB
Relative Intensity Noise	$RIN_{120\text{MA}}$			-128	dB/Hz
Total jitter	$T_j$	IEEE 802.3ae			
<b>Receiver Section</b>					
Center Wavelength	$\lambda_o$	1270		1610	nm
Receiver Sensitivity	$R_{sen}$			-15	dBm
Stressed Sensitivity	$R_{sen}$			-15	dBm
Receiver Overload	$R_{ov}$	-3			dBm
Return Loss		12			dB
LOS Assert	$LOS_A$	-20			dBm
LOS Dessert	$LOS_D$			-17	dBm
LOS Hysteresis		0.5		4	

## 6. Electrical Characteristics

(Ambient Operating Temperature  $-5^{\circ}\text{C}$  to  $+70^{\circ}\text{C}$ ,  $V_{cc} = 3.3\text{ V}$ )

Parameter	Symbol	Min.	Typ.	Max.	unit
<b>Transmitter Section</b>					
Input Differential Impedence	$Z_{in}$	90	100	110	Ohm
Data Input Swing Differential	$V_{in}$	180		700	mV
TX Disable	Disable	2.0		$V_{cc}$	V
	Enable	0		0.8	V
TX Fault	Assert	2.0		$V_{cc}$	V
	Deassert	0		0.8	V
<b>Receiver Section</b>					
Output differential impedance	$Z_{out}$		100		Ohm
Data output Swing Differential	$V_{out}$	300		800	mV
Rx_LOS	Assert	2.0		$V_{cc}$	V
	Deassert	0		0.8	V

## 7. Diagnostics

Parameter	Range	Accuracy	Unit	Calibration
Temperature	$-10 \sim 75$	$\pm 3$	$^{\circ}\text{C}$	Internal
Voltage	$0 \sim V_{CC}$	0.1	V	Internal
Bias Current	$0 \sim 100$	0.5	mA	Internal
Tx Power	$-3 \sim 4$	$\pm 1$	dBm	Internal
Rx Power	$-18 \sim 0$	$\pm 1$	dBm	Internal

**8.EEPROM INFORMATION (A0)**

Addr	Field Size (Bytes)	Name of Field	HEX	Description
0	1	Identifier	03	SFP
1	1	Ext. Identifier	04	MOD4
2	1	Connector	07	LC
3-10	8	Transceiver	10 00 00 00 00 00 00 00 00	Transmitter Code
11	1	Encoding	06	64B66B
12	1	BR, nominal	67	10000M bps
13	1	Reserved	00	
14	1	Length (9um)-km	0A	
15	1	Length (9um)	00	
16	1	Length (50um)	00	
17	1	Length (62.5um)	00	
18	1	Length (copper)	00	
19	1	Reserved	00	
20-35	16	Vendor name		ARIOONET
36	1	Reserved	00	
37-39	3	Vendor OUI	00 00 00	
40-55	16	Vendor PN	xx xx xx xx xx xx xx xx xx xx xx xx xx xx xx xx xx xx	ASC II
56-59	4	Vendor rev	31 2E 30 20	V1.0
60-61	2	Wavelength	05 322	1310nm
62	1	Reserved	00	
63	1	CC BASE	XX	Check sum of byte 0-62

64-65	2	Options	00 1A	LOS, TX_DISABLE, TX_FAULT
66	1	BR, max	00	
67	1	BR, min	00	
68-83	16	Vendor SN	00 00 00 00 00 00 00 00 00 00 00 00 00 00 00 00 00	Unspecified
84-91	8	Vendor date code	XX XX XX 20	Year, Month, Day
92-94	3	Reserved	00	
95	1	CC_EXT	XX	Check sum of byte 64~94
96-255	160	Vendor specific		

## 9.Pin Description

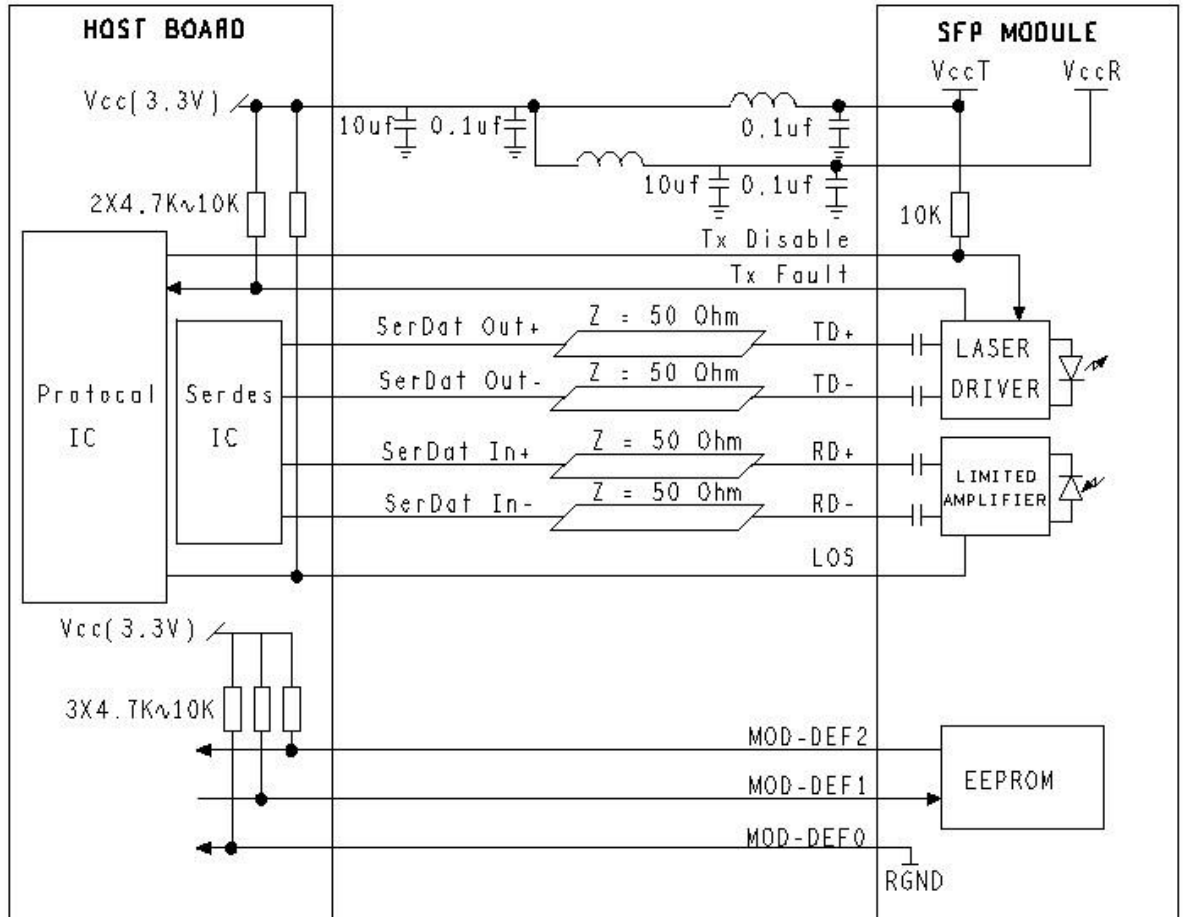
Pins	Name	Discription	NOTE
1	VeeT	Transmitter Ground	
2	Tx Fault	Transmitter Fault Indication	1
3	Tx Disable	Transmitter Disable	2
4	MOD DEF2	Module Definition 2	3
5	MOD DEF1	Module Definition 1	3
6	MOD DEF0	Module Definition 0	3
7	RS0	Not Connected	
8	LOS	Loss of Signal	4
9	RS1	Not Connected	
10	VeeR	Receiver Ground	
11	VeeR	Receiver Ground	
12	RD-	Inv. Received Data Output	5
13	RD+	IReceived Data Output	5
14	VeeR	Receiver Ground	
15	VccR	Receiver Power	

16	VccT	Transmitter Power	
17	VeeT	Transmitter Ground	
18	TD+	Transmit Data Input	6
19	TD-	Inv. Transmit Data Input	6
20	VeeT	Transmitter Ground	

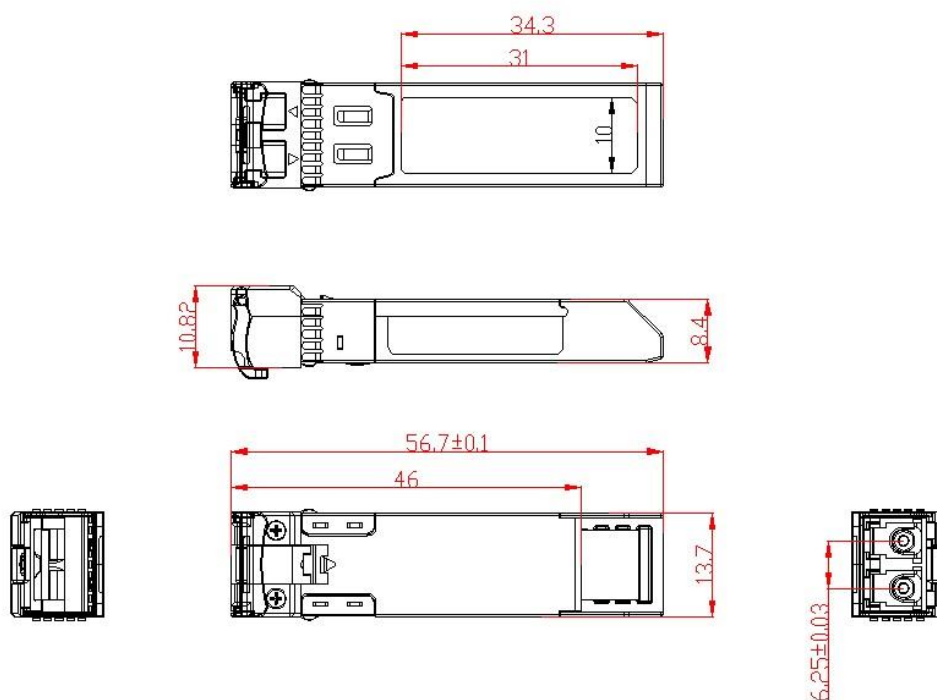
Notes:

1. TX Fault is an open collector output, which should be pulled up with a 4.7k~10kΩ resistor on the host board to a voltage between 2.0V and Vcc+0.3V. Logic 0 indicates normal operation; logic 1 indicates a laser fault of some kind. In the low state, the output will be pulled to less than 0.8V.
2. TX Disable is an input that is used to shut down the transmitter optical output. It is pulled up within the module with a 4.7k~10kΩ resistor. Its states are:
  - Low (0~0.8V): Transmitter on
  - (>0.8V, <2.0V): Undefined
  - High (2.0~3.465V): Transmitter Disabled
  - Open: Transmitter Disabled
3. MOD-DEF 0,1,2 are the module definition pins. They should be pulled up with a 4.7k~10kΩ resistor on the host board. The pull-up voltage shall be VccT or VccR.
  - MOD-DEF 0 is grounded by the module to indicate that the module is present
  - MOD-DEF 1 is the clock line of two wire serial interface for serial ID
  - MOD-DEF 2 is the data line of two wire serial interface for serial ID
4. LOS is an open collector output, which should be pulled up with a 4.7k~10kΩ resistor on the host board to a voltage between 2.0V and Vcc+0.3V. Logic 0 indicates normal operation; logic 1 indicates loss of signal. In the low state, the output will be pulled to less than 0.8V.
5. These are the differential receiver output. They are internally AC-coupled 100Ω differential lines which should be terminated with 100Ω (differential) at the user SERDES.
6. These are the differential transmitter inputs. They are AC-coupled, differential lines with 100Ω differential termination inside the module.

## 10.Recommended Application Circuit



### 11. Outline drawing (mm)



### 12. Ordering information :

ARIOO10G	Commercial	0~70°C
----------	------------	--------

### 13. Contact :

Address	IRAN_YASUJ
Tell	+98-917-743-3046
Website	www.ARIOONET.com
Email	Admin@arioonet.com